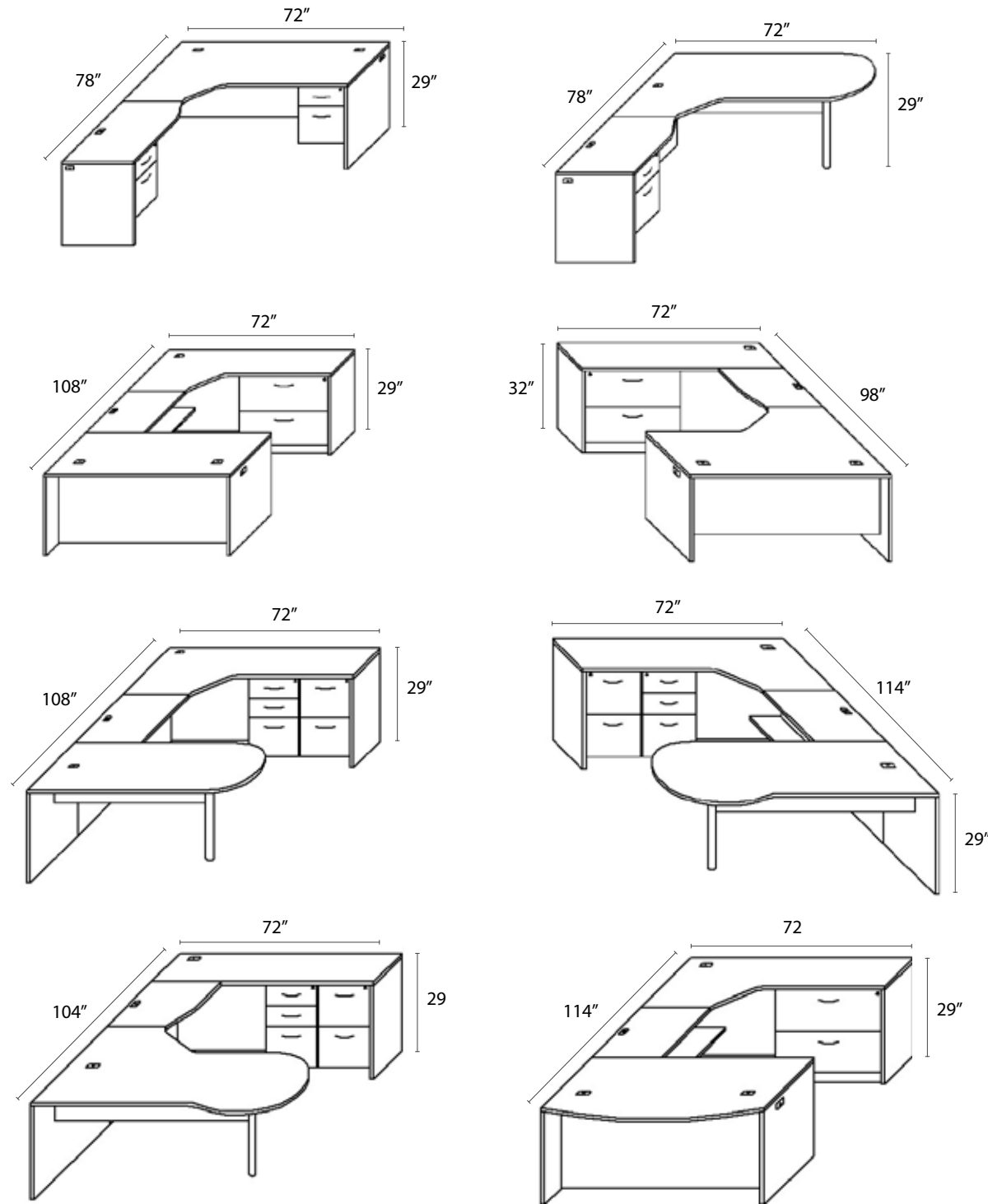


Typical Configurations



*Typical dimensions shown. See product pricer for all available sizes.

**James
Edward**
Furniture

2100

SERIES

**James
Edward**
Furniture



Functional, contemporary laminate designs offering clean lines with modular convenience. This sums up our largest series offering with the best value. A panel end style with 168 items to choose from. Available with 10 colors with any color combination of tops and bases. The 2100 Series can be configured into 1000's of configurations, customizing the needs of any office environment.

Made in the USA 



Frost Doors



Options
European Hinges



Unique Hinged Bridge for Easy Access



- 2 mm impact resistant PVC edge
- Tops and sides consist of solid 1-1/8" thick premium high performance laminate with a durable 2mm round over "soft" edge
- Box/file pedestals standard, box/box, file and file/file drawer configurations are optional
- Adjustable 1 inch leveling glides are standard on all items, (except bookcases)
- Full and 3/4 modesty panels available
- Locks are standard on all drawers

Edge Detail Options



Square



Fluted



Optional Full Modesty Panel Shown.

Laminate Colors



Accent Colors



Handle Options



* See product pricer for all available options.