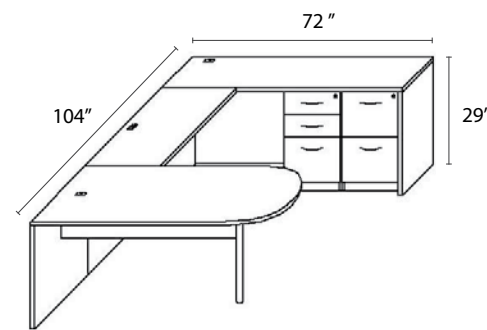
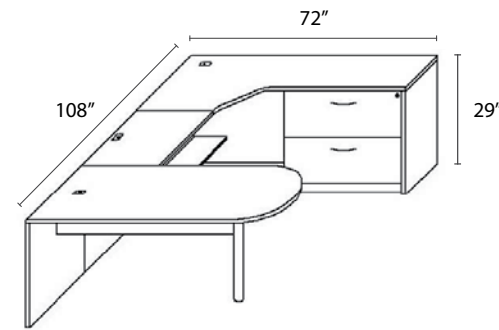
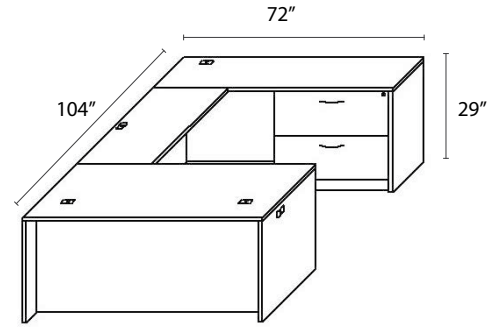
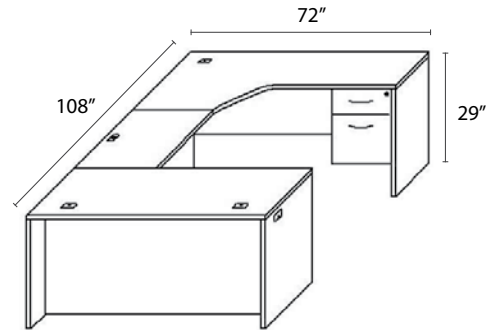


Typical Configurations



*Typical dimensions shown. See product pricer for all available sizes.

2300

SERIES

James
Edward
Furniture



James
Edward
Furniture

Solid hardwood edged laminate, available in five profiles introduces artistic flair to this stylish design. A panel end style with 146 items to choose from. Available in 14 colors and 3 base colors that can be combined between tops and bases. The 2300 Series can be configured into 1000's of configurations, customizing any design requirements.



Options

Frost Doors



European Hinges



Unique Hinged Bridge



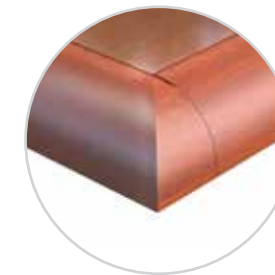
Edge Detail Options



Tri-Oval



Fluted



Radius



Bevel

- 1 1/8" solid hardwood, tongue & groove molding around every work surface, with 4-way edge Details available in 4 profiles
- Box/file pedestals standard, box/box, file and file/file drawer configurations are optional
- Adjustable 1 inch leveling glides are standard on all items, (except bookcases)
- Full and 3/4 modesty panels available
- Locks are standard on all drawers

Laminate Colors



Accent Colors



11 high gloss colors to choose from

* Base colors only.

* See product pricer for all available options.

Handle Options



Metropolitan Pull
Nickel Only



Bar Pull
Nickel Only



Wire Pull
Black and Nickel



Arch Pull
Nickel Only



Slot Pull
Black and Nickel



Crescent Pull
Black and Nickel



Mortise Pull
Nickel Only



Tab Pull
Nickel Only



Retro Pull
Nickel Only