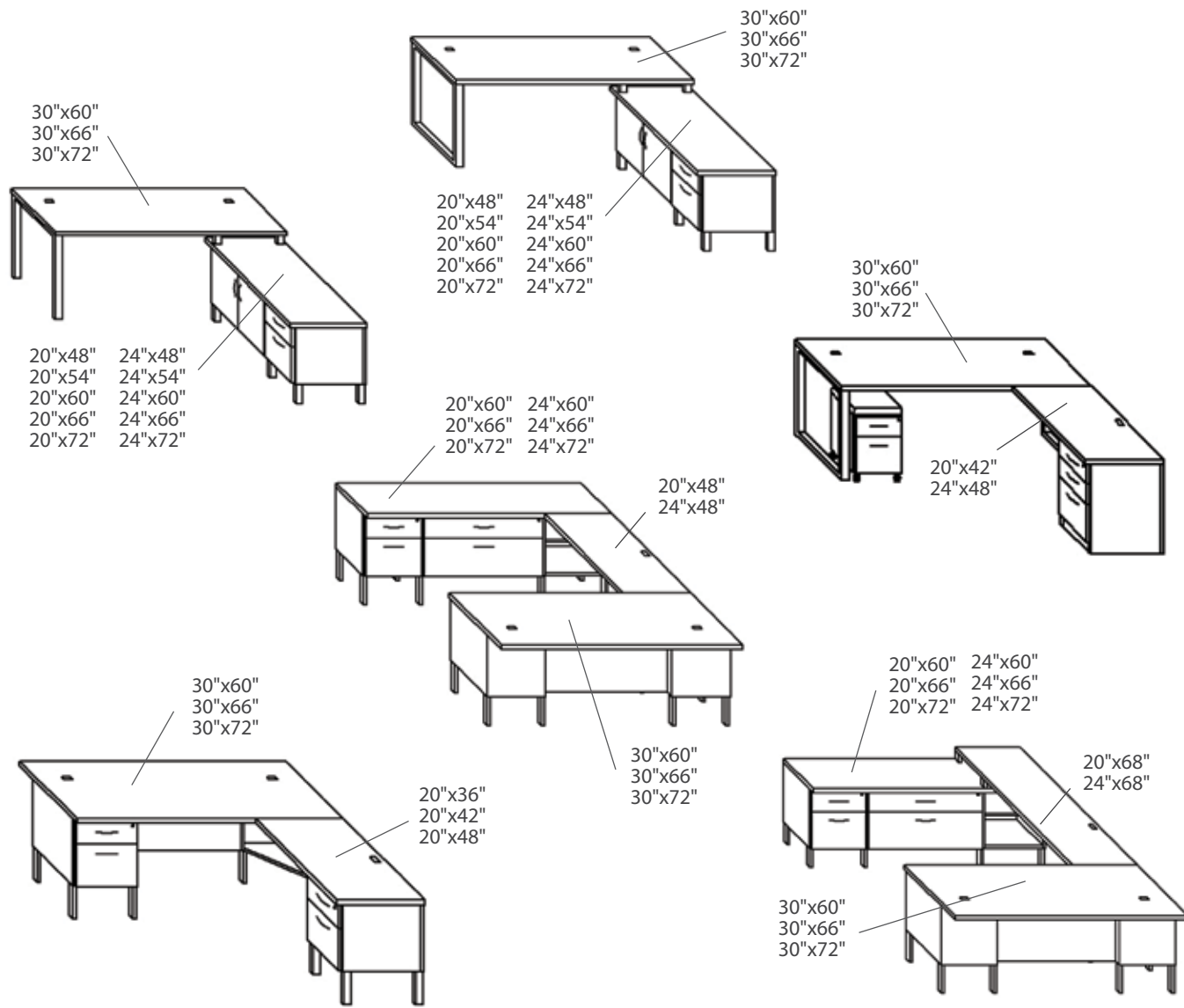


Typical Configurations



*Typical dimensions shown. See product pricer for all available sizes.

Multi-User Configurations



James Edward
Furniture

2simple
OFFICE

James Edward
Furniture



Our latest creation offers a creative style with completely interchangeable components including brushed steel legs, colorful acrylic drawer fronts and frosted modesty panels. Designed with the versatility of modern office spaces in mind, the 2Simple series fits the needs of individual offices and multi-person workstations.

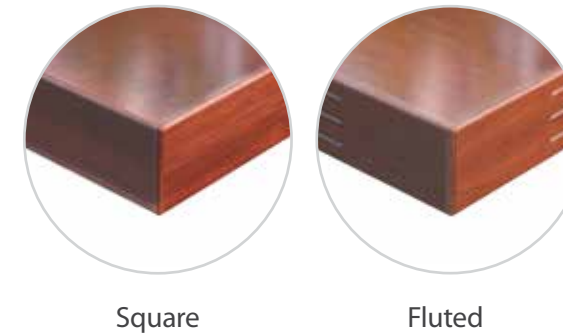
Made in the USA 

Creative Versatile Modern



Unlimited options for design, style and configuration. See the product pricer for a complete list of options.

Edge Detail Options



Handle Options



Slot Pull
Black and Nickel



Crescent Pull
Black and Nickel



Mortise Pull
Nickel Only



Tab Pull
Nickel Only



Wire Pull
Black and Nickel



Arch Pull
Nickel Only



Metropolitan Pull
Nickel Only

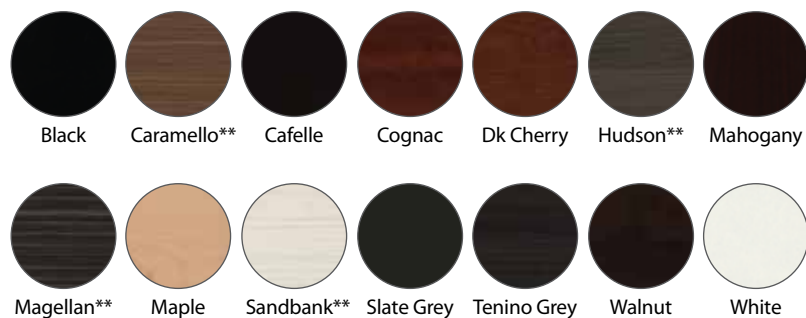


Bar Pull
Nickel Only



Retro Pull
Nickel Only

Laminate Colors



Accent Colors



11 high gloss colors to choose from

- Durable 2 mm PVC, impact resistant "soft" edge
- Tops consist of solid 1 1/8" thick premium high performance laminate
- Box/file pedestals standard, box/box, file and file/file drawer configurations are optional
- Adjustable 1 inch leveling glides are standard on all items, (except bookcases)
- Full, ¾ modesty, and Floating modesty panels available
- Locks are standard on all drawers

* See product pricer for all available options.

**Laminate is textured on drawer fronts, doors, conference tables, hutches, and modesty panels.