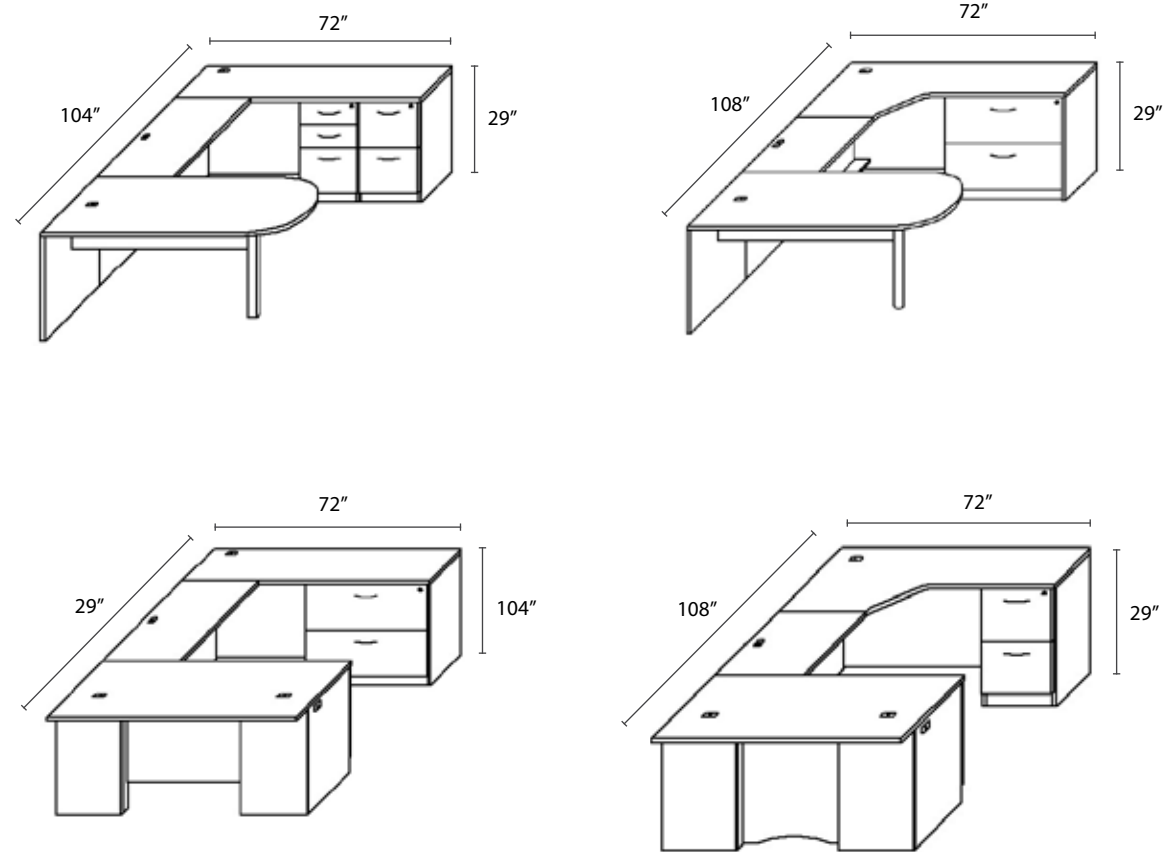


Typical Configurations



*Typical dimensions shown. See product pricer for all available sizes.

**James
Edward**
Furniture

3300

SERIES

**James
Edward**
Furniture



Solid hardwood edged laminate, in a pedestal style. Available in a choice of five profiles, introduce artistic flair to this stylish design. Choose from arch, straight, frost, or laminate modesty panels. 146 items to choose from. Available in 14 colors and 3 base colors that can be combined between tops and bases. The 3300 Series can be configured into 1000's of configurations, customizing the look of any design requirements.



Frost Doors



Options

European Hinges



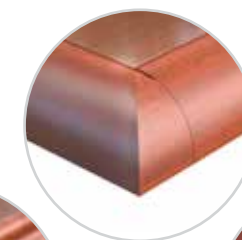
Unique Hinged Bridge



Edge Detail Options



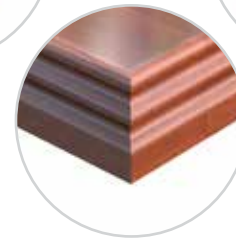
Tri-Oval



Radius



Knife



Fluted



Bevel

- 1 1/8" solid hardwood, tongue & groove molding around every work surface, with 4-way edge details available in 5 profiles
- Floating or reveal worksurface options available
- Box, box, file standard with file, file optional
- Adjustable 1 inch leveling glides are standard on all items, (except bookcases)
- Step modesty panels with 5 different modesty panels styles
- Locks are standard on all drawers

Laminate Colors



* Base colors only.

Accent Colors



11 high gloss colors to choose from

* See product pricer for all available options.



Full and 3/4 Modesty Panels Available

Handle Options



Metropolitan Pull
Nickel Only



Bar Pull
Nickel Only



Wire Pull
Black and Nickel



Arch Pull
Nickel Only



Slot Pull
Black and Nickel



Crescent Pull
Black and Nickel



Mortise Pull
Nickel Only



Tab Pull
Nickel Only



Retro Pull
Nickel Only