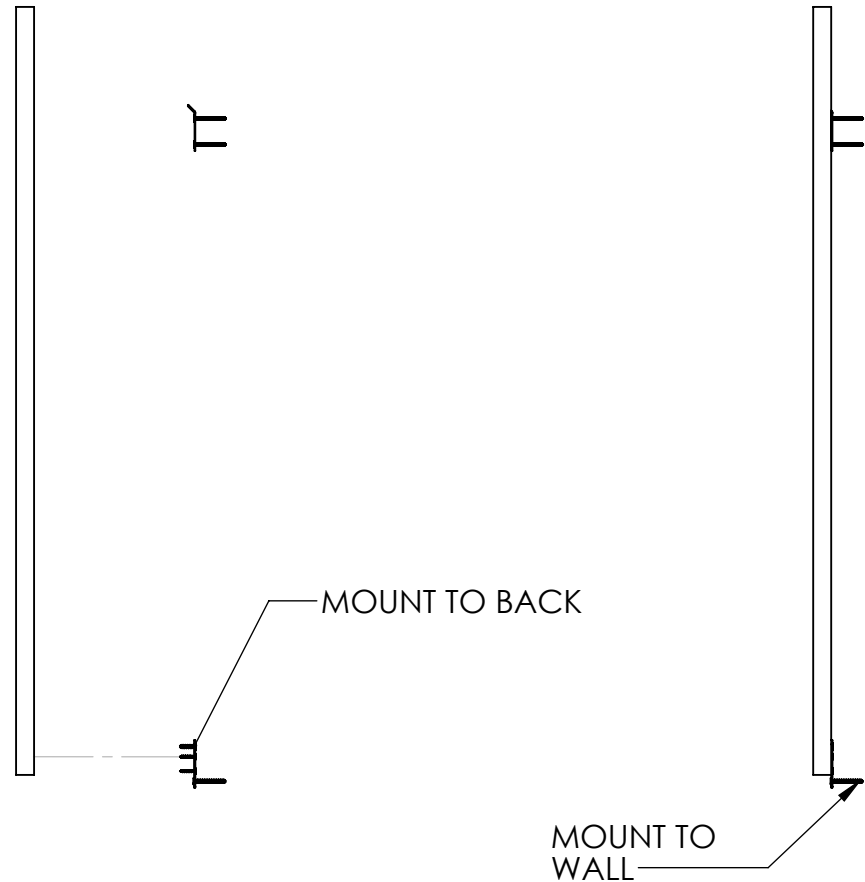
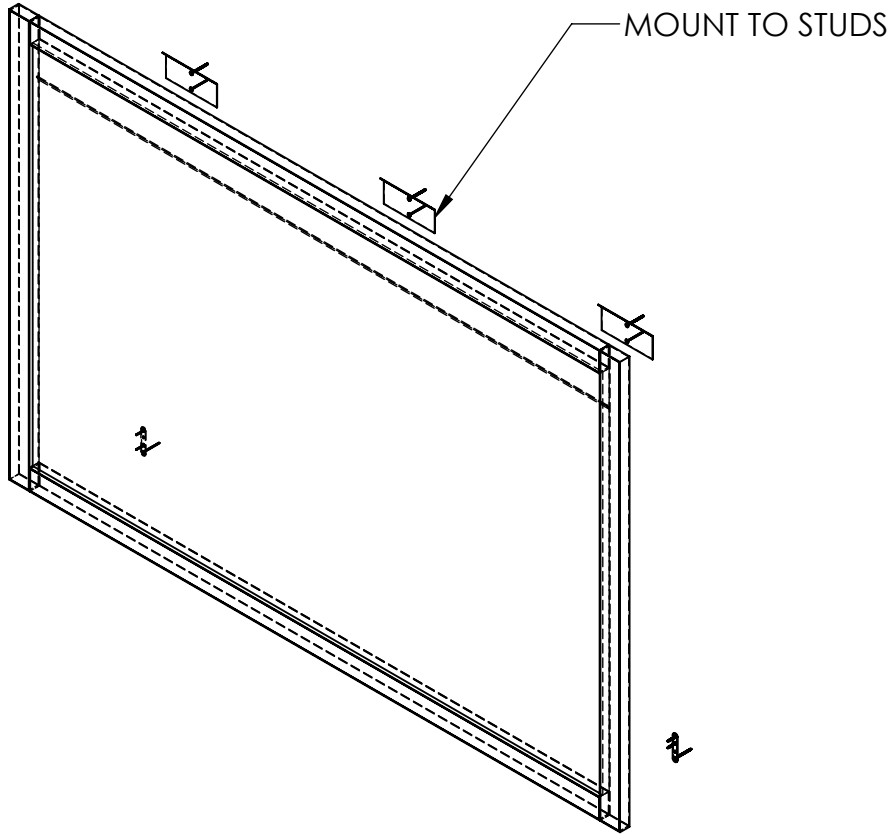


MOUNTING INSTRUCTIONS



PROPRIETARY AND CONFIDENTIAL
 THE INFORMATION CONTAINED IN THIS DRAWING IS THE SOLE PROPERTY OF James Edward Furniture. ANY REPRODUCTION IN PART OR AS A WHOLE WITHOUT THE WRITTEN PERMISSION OF James Edward Furniture IS PROHIBITED.

UNLESS OTHERWISE SPECIFIED:	NAME	DATE	TITLE:			
DIMENSIONS ARE IN INCHES TOLERANCES: FRACTIONAL $\pm .02$ ANGULAR: MACH $\pm .02$ BEND $\pm .02$ TWO PLACE DECIMAL $\pm .02$ THREE PLACE DECIMAL $\pm .010$	DRAWN F.M.	03.07.17	4x6-WHITE-BOARD			
MATERIAL:	CUSTOMER APPR.		SIZE	DWG. NO.	QUOTE #	REV
COLOR COMBINATIONS:			A			
			SCALE: 1:16	WEIGHT:	SHEET 3 OF 3	